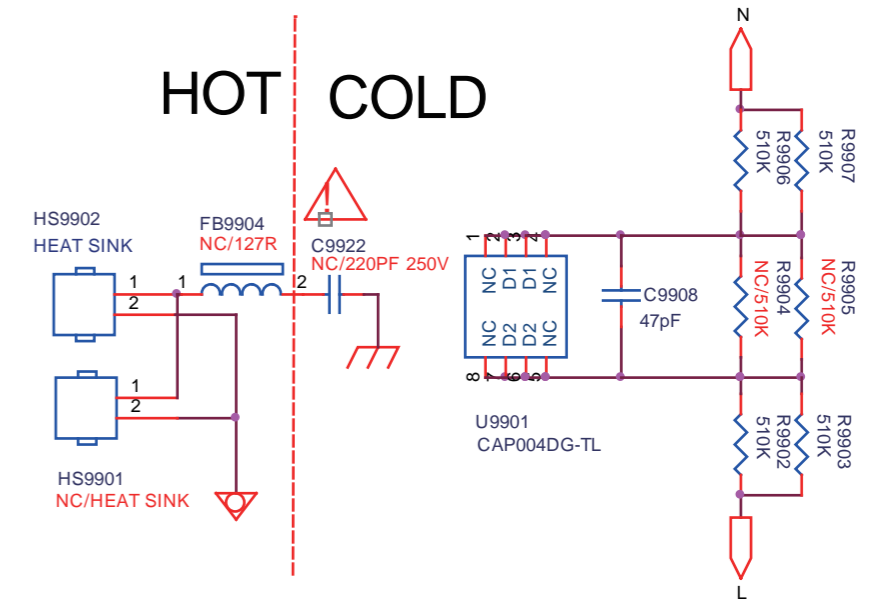
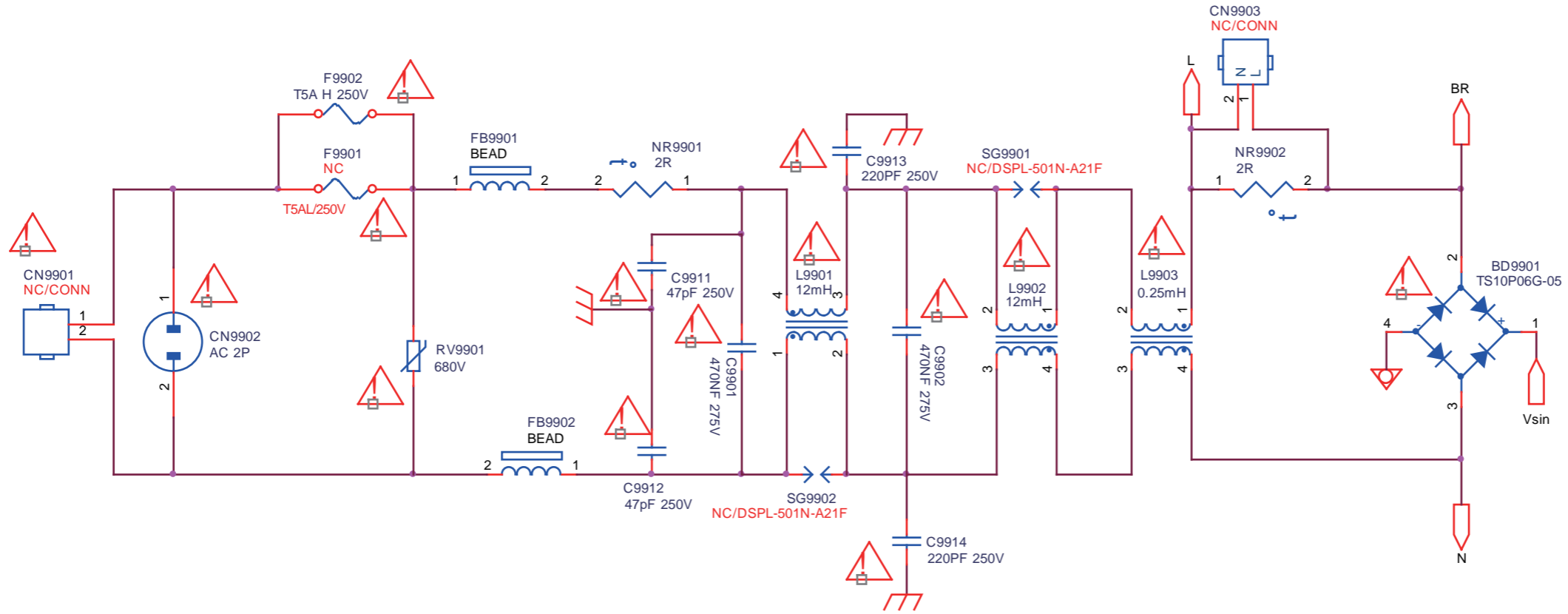


10.6 A 715G7350 PSU
10-6-1 AC input

A01

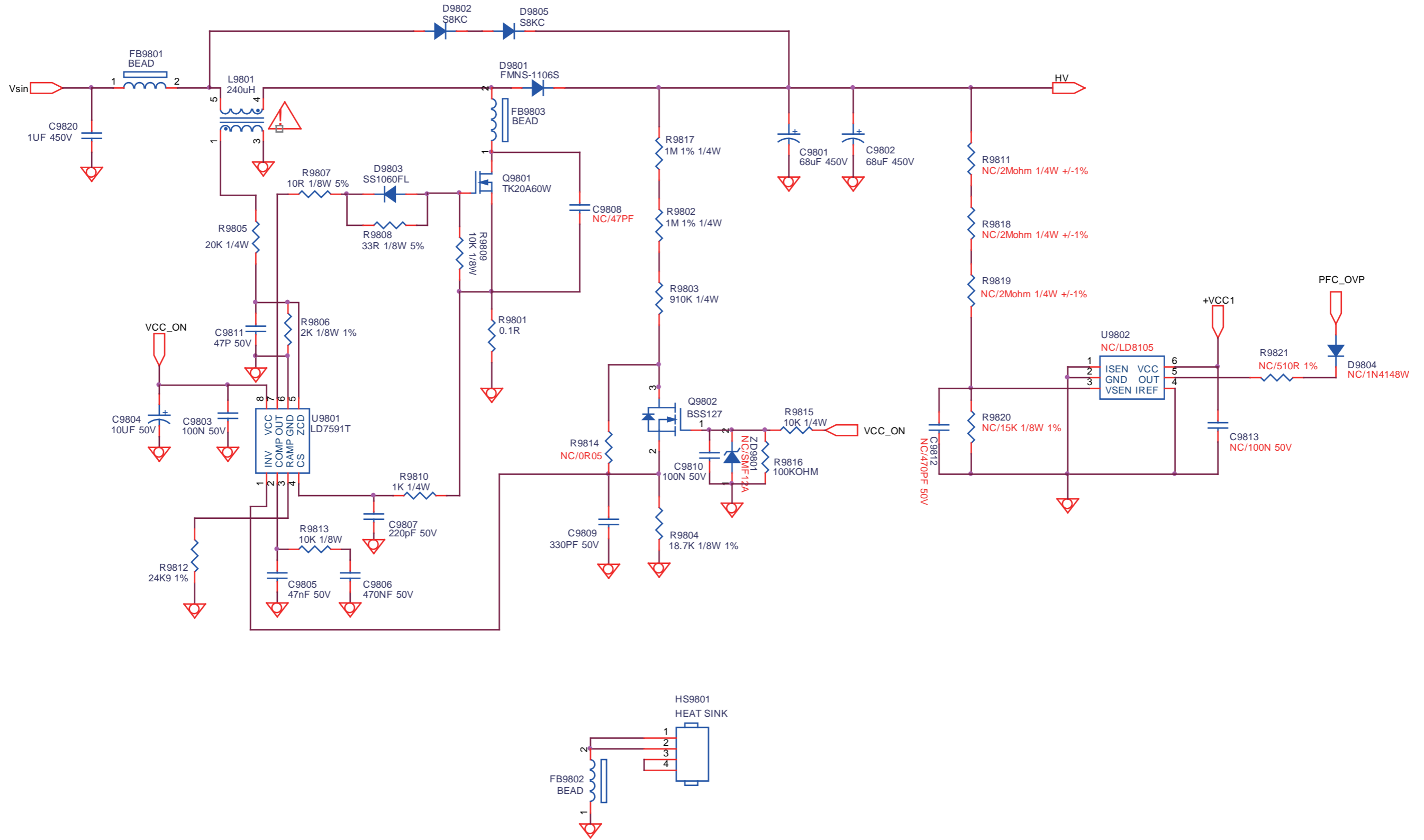
AC input

A01



HOT COLD

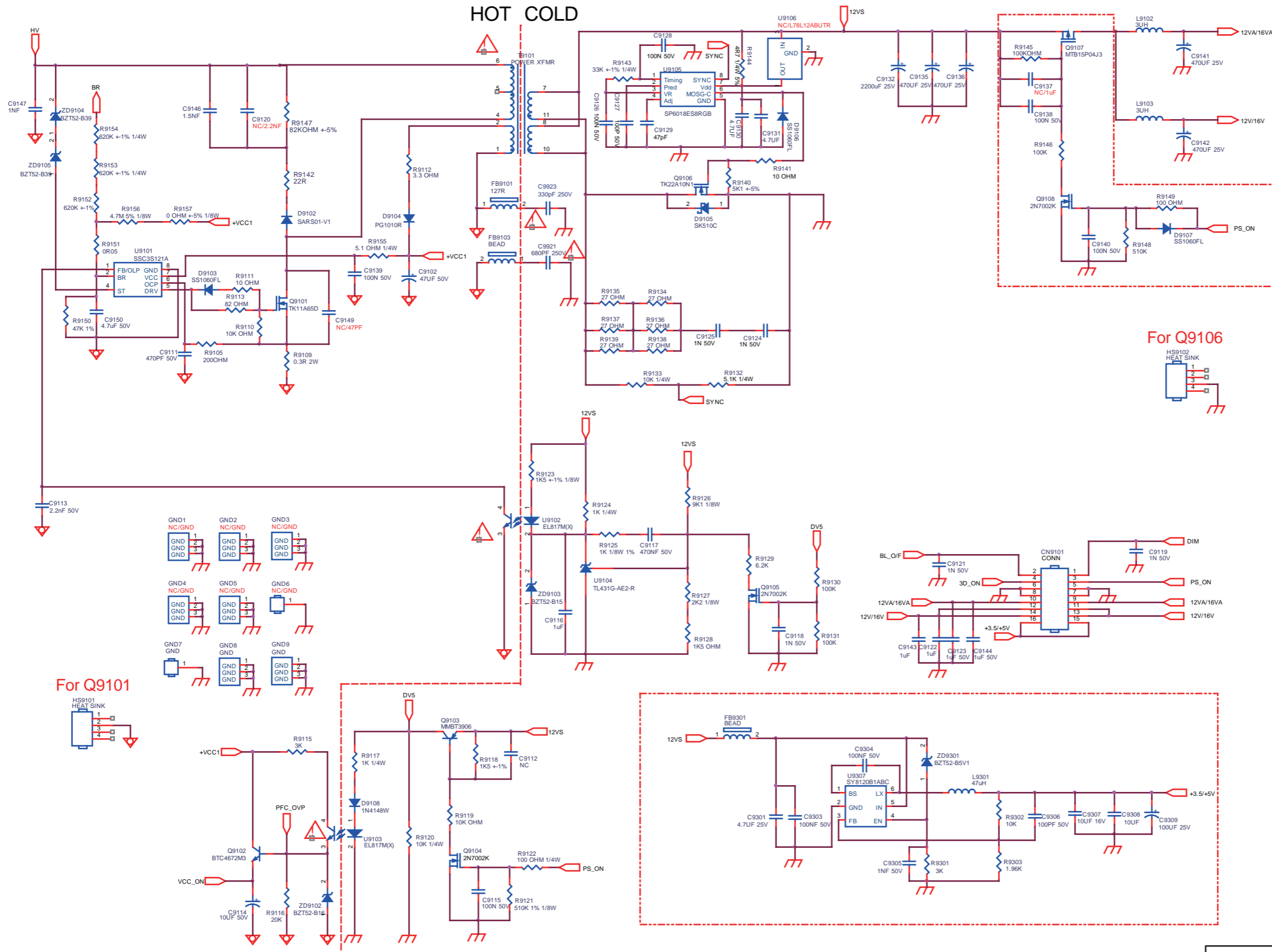
AC input	715G7350	2016-11-16
----------	----------	------------



PFC	715G7350	2016-11-18

A03 Main Power

A03



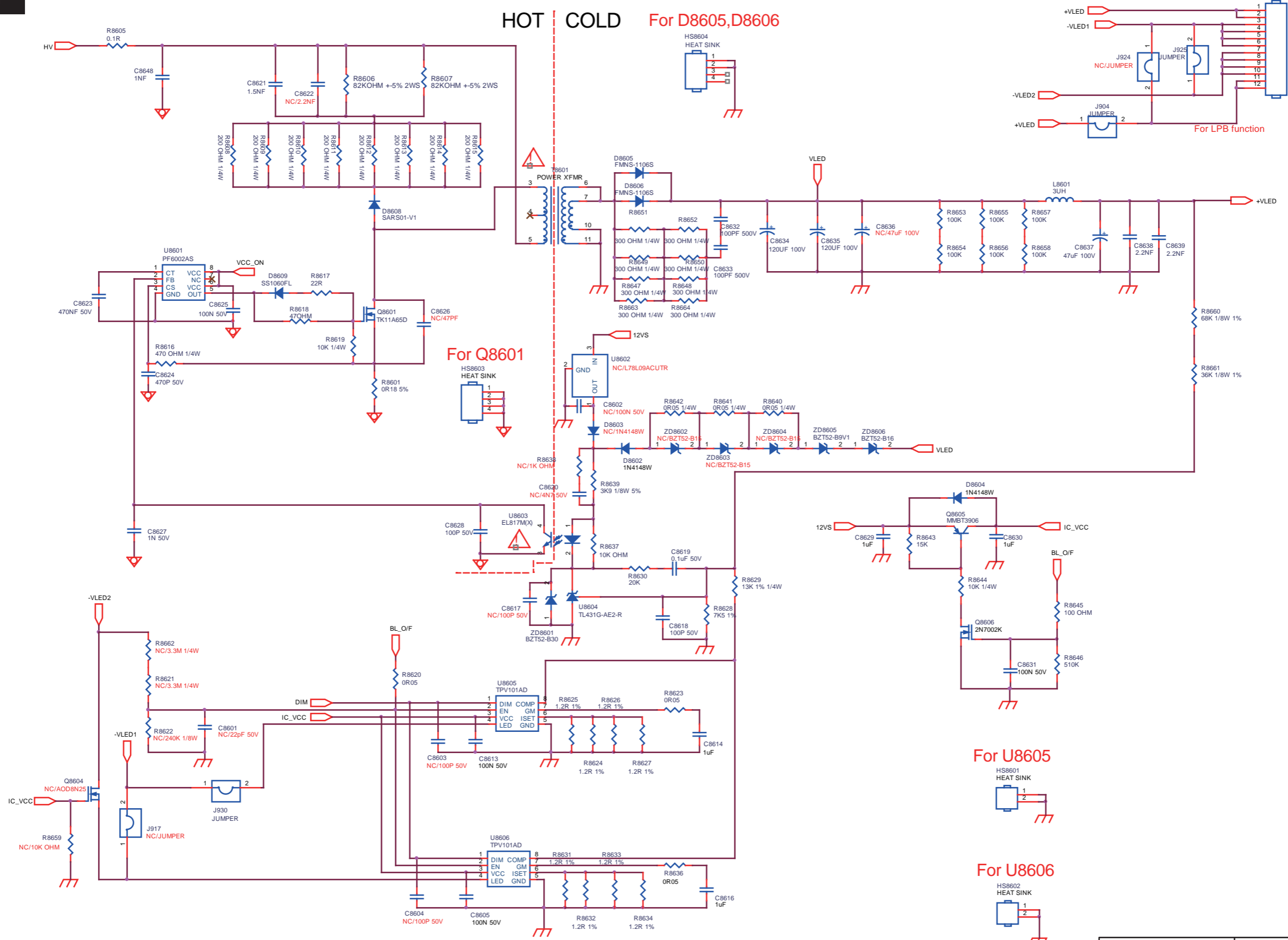
Main Power	715G7350	2016-11-18
------------	----------	------------

10-6-4 LED

A04

LED

A04

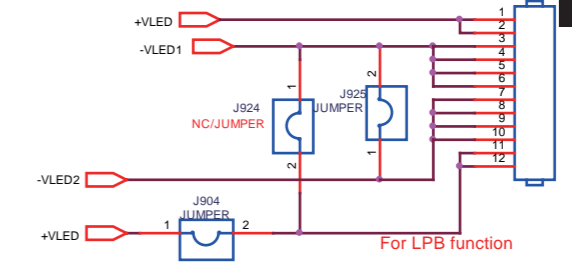


HOT COLD For D8605, D8606

For Q8601

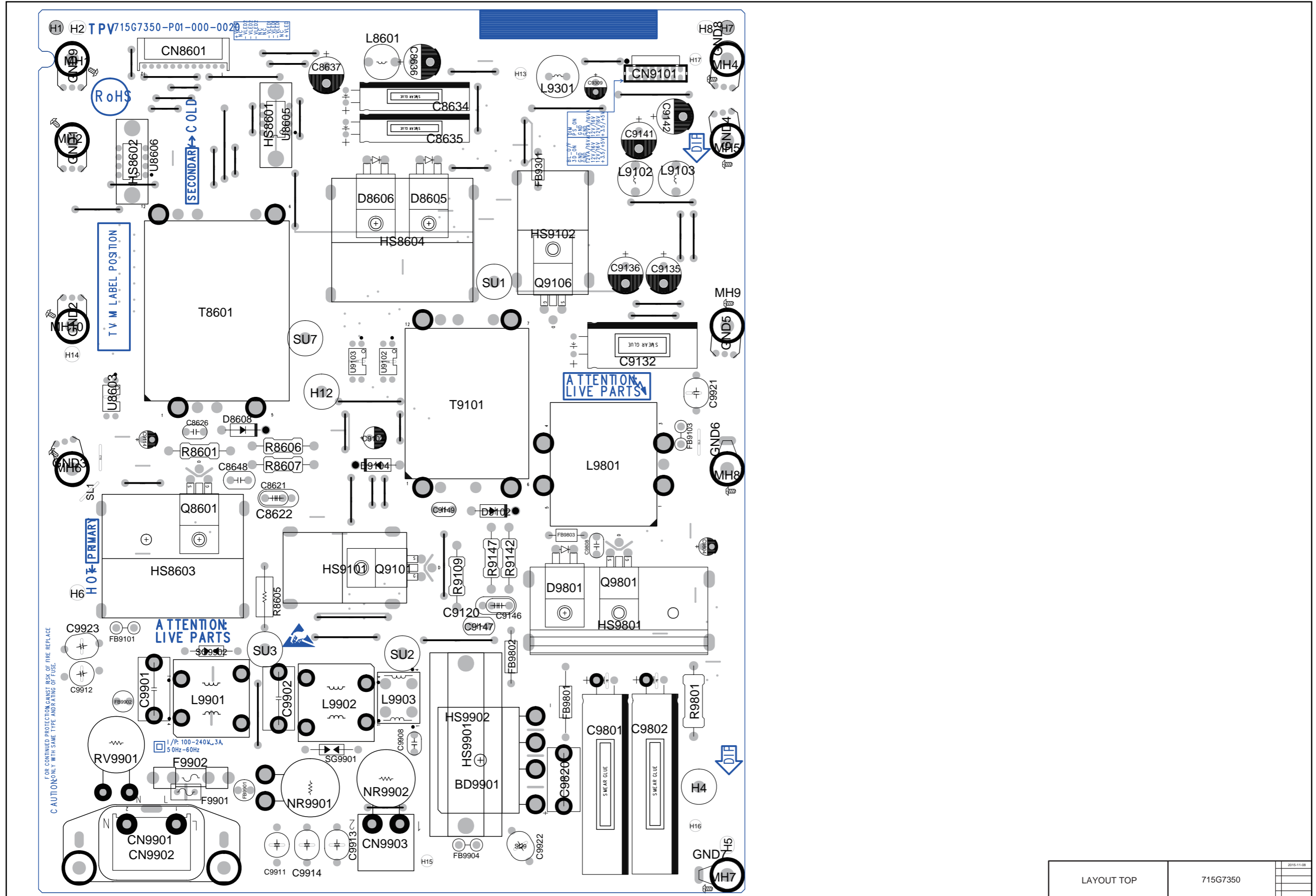
For U8605

For U8606



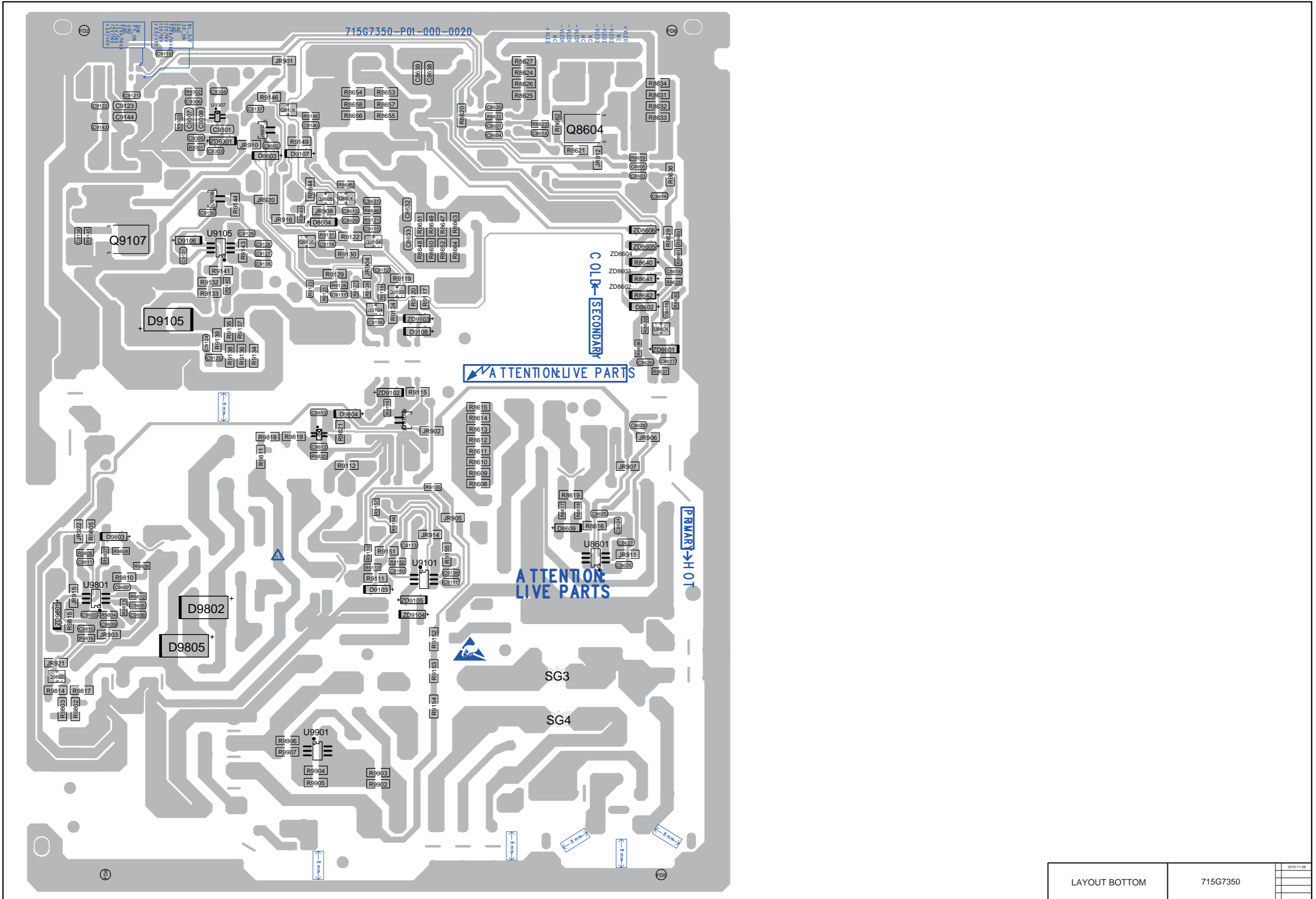
LED	715G7350	2016-11-18

10-6-5 Power layout top



LAYOUT TOP	715G7350	2016-11-08

10-6-6 Power layout bottom



LAYOUT BOTTOM	715G7350	2016-11-08